

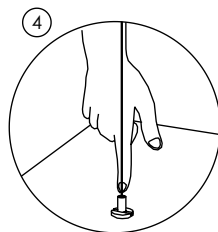
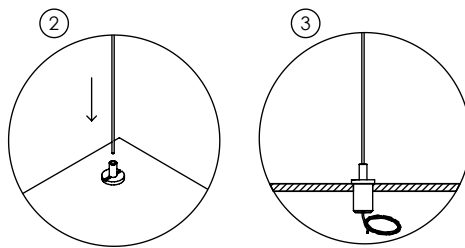
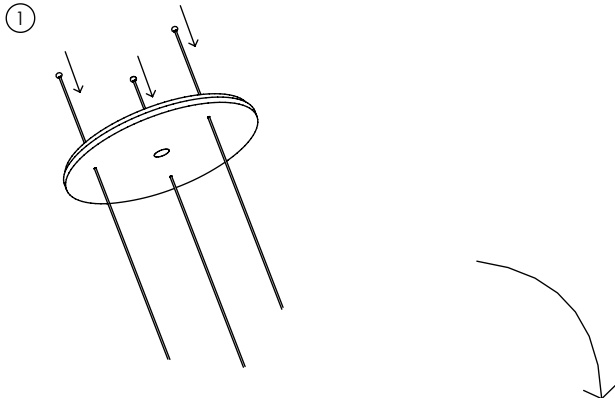
WARNING!



Be sure electrical power is OFF before and during installation or maintenance. The luminaire must be installed by a qualified electrician, in accordance with all applicable local codes.

Ensure that the rated luminaire voltage requirements are compatible with the available mains supply in which it will be installed. All LEDs are included in your lamp. Never touch the LED surface with your bare hands as this may reduce the life of your LED. Do not alter, relocate or remove any electrical component.

Line: Conical
 Family: Pendant
 Description: Conical Suspension Pendant
 Material: Natural Wood Veneer, MDF and Acrylic
 Weight:



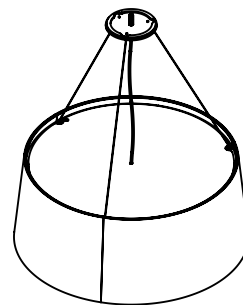
INSTALLING THE FIXTURE ON CEILING

Turn OFF the power before start the installation.

- ① Pass the support steel cable through the small hole in the screw collar loop mounted on top of the luminaire. Ensure the ball-end of the cable stays inside of the loop in order to secure it in place.
- ② Insert the other end of the support steel cable into the adjustable anchor mounted on the canopy until it is tight.
- ③ Reserve extra cable by wrapping it inside of the canopy. It is not necessary to cut the excess off, but ensure that the cable cannot touch any of the electrical connections.
- ④ After the canopy assembly is finished, level the fixture by making adjustments to the length of the cable as shown in the next step.

ADJUSTING THE FIXTURE HEIGHT

Choose the height (H) you want the luminaire to hang below the ceiling by pushing on the anchor to release tension. While pressing the tip, move the cable until it reaches the desired length. Release the tip and the cable will be locked again. Final adjustments can be made after the fixture is mounted. Now you are ready to make the electrical connection.



ATTENTION!



FAILURE TO COMPLY WITH THESE INSTRUCTIONS MAY CAUSE ACCIDENTS AND LOSS OF PRODUCT WARRANTY. Its recommended to read these instructions completely and carefully before proceeding.

SAVE THESE INSTRUCTIONS FOR FUTURE REFERENCE.

ACCORD Lighting guarantees coverage against manufacturing defects including electrical components and finishes, for a period of three years, under normal use, from the date of purchase. For warranty service, please contact your local dealer for further instructions. Proof of date of purchase will be required for validation of warranty service.

The responsibility of the manufacturer regarding the product warranty is related to the correct observation of the instructions contained in this manual. The manufacturer is not responsible for any damage to the product caused by accidents, alterations of any kind, improper usage or improper installation. See the website for additional warranty details.

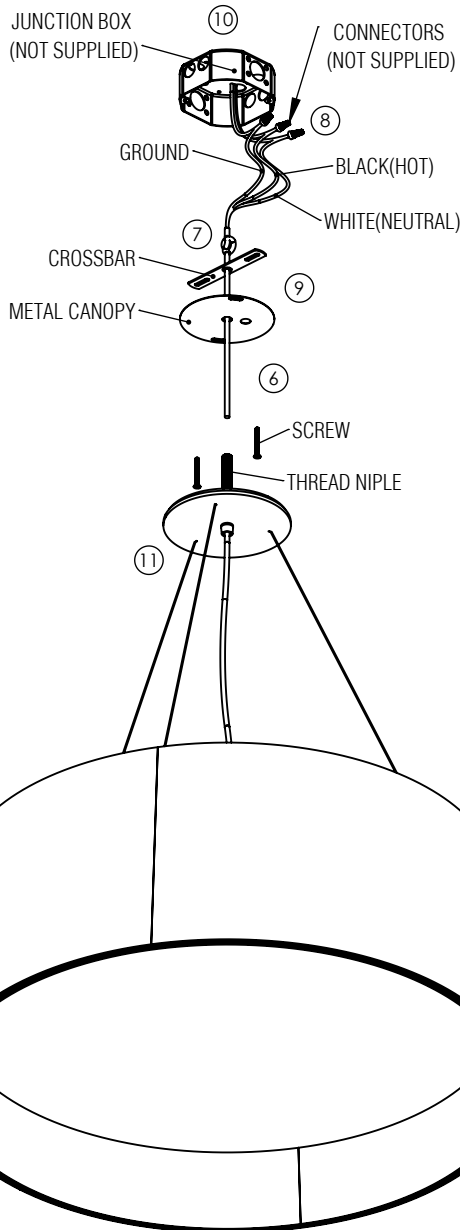
ACCORD Lighting reserves the right to change the dimensions and specifications contained in this manual without prior notice, in accordance with its policy of continuous product improvement. Please, contact the manufacturer if additional information is necessary. The illustrations in this manual are for guidance only and may vary in scale, dimensions and model details.

WARNING!



Be sure electrical power is OFF before and during installation or maintenance. The luminaire must be installed by a qualified electrician, in accordance with all applicable local codes.

Ensure that the rated luminaire voltage requirements are compatible with the available mains supply in which it will be installed. All LEDs are included in your lamp. Never touch the LED surface with your bare hands as this may reduce the life of your LED. Do not alter, relocate or remove any electrical component.



Color Temperature: Lamp dependent
 CRI: Lamp dependent
 Luminous Flux: Lamp dependent
 Total Power: 40W

Input Voltage: 110V - 277V
 Input Frequency: 60 Hz
 Isolation: Class II

Material: Natural Wood Veneer, MDF and Acrylic
 Weight:

Height Adjustment Limit: 160cm/63in

MAKING ELECTRICAL CONNECTIONS

Turn OFF the power before start the installation.

- ⑥ Pass the power supply cable through the strain relief cone, threaded tube nipple, canopy and crossbar.
- ⑦ Adjust the length of power supply cable by tying a knot to secure it in place.
- ⑧ Connect the electrical supply wires to the junction box in accordance to all applicable local codes, as shown in the diagram.

MOUNTING ON THE FIXTURE

- ⑨ Attach the crossbar to the junction box using the supplied screws.
- ⑩ After electrical connections are made, place excess wire inside of the junction box.
- ⑪ Bring the canopy to the ceiling and secure it by screwing the strain relief cone with the threaded tube nipple into the crossbar.

Turn ON electrical power.

DIMMER COMPATIBILITY

The LED driver included with this fixture is designed to operate with most standard dimmers. All power ratings and installation instructions from dimmer manufacturers' instruction sheets must be followed.

ATTENTION!



FAILURE TO COMPLY WITH THESE INSTRUCTIONS MAY CAUSE ACCIDENTS AND LOSS OF PRODUCT WARRANTY. Its recommended to read these instructions completely and carefully before proceeding.

SAVE THESE INSTRUCTIONS FOR FUTURE REFERENCE.

ACCORD Lighting guarantees coverage against manufacturing defects including electrical components and finishes, for a period of three years, under normal use, from the date of purchase. For warranty service, please contact your local dealer for further instructions. Proof of date of purchase will be required for validation of warranty service.

The responsibility of the manufacturer regarding the product warranty is related to the correct observation of the instructions contained in this manual. The manufacturer is not responsible for any damage to the product caused by accidents, alterations of any kind, improper usage or improper installation. See the website for additional warranty details.

ACCORD Lighting reserves the right to change the dimensions and specifications contained in this manual without prior notice, in accordance with its policy of continuous product improvement. Please, contact the manufacturer if additional information is necessary. The illustrations in this manual are for guidance only and may vary in scale, dimensions and model details.